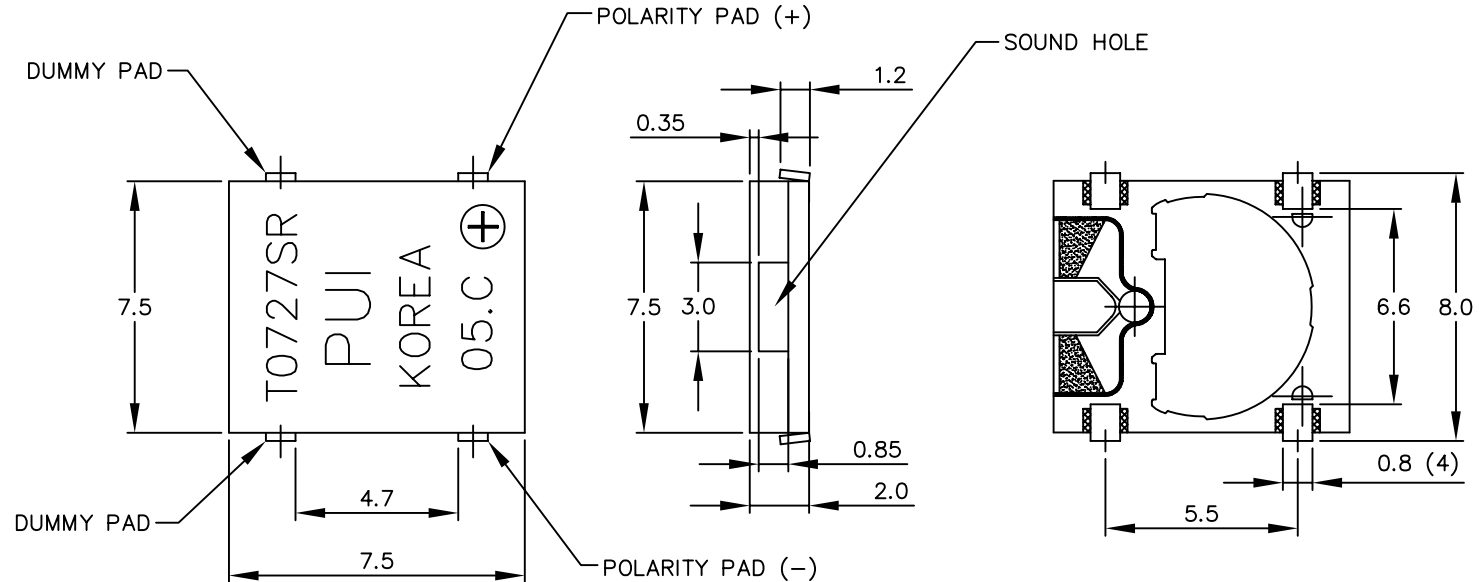


THIS DOCUMENT CONTAINS DATA PROPRIETARY TO PROJECTS UNLIMITED, INC. ANY USE OR REPRODUCTION, IN ANY FORM, WITHOUT PRIOR WRITTEN PERMISSION OF PROJECTS UNLIMITED, INC. IS PROHIBITED.
© 2003, Projects Unlimited Inc.

SPECIFICATIONS

| PARAMETERS | VALUES | UNITS |
|-----------------------------|---------------------------|-------|
| RATED VOLTAGE (SQUARE WAVE) | 3.6 | Vp-p |
| OPERATING VOLTAGE RANGE | 2 ~ 5 | Vp-p |
| RATED CURRENT (MAX) | 120 | mA |
| COIL RESISTANCE | 12±2 | OHM |
| MINIMUM SPL @ 10 CM | 85 | dBA |
| RESONANT FREQUENCY | 2,700±500 | Hz |
| OPERATING TEMPERATURE | -30 ~ +70 | °C |
| STORAGE TEMPERATURE | -40 ~ +85 | °C |
| HOUSING MATERIAL | LCP | - |
| TERMINAL MATERIAL | Sn PLATED PHOSPHER BRONZE | - |
| WEIGHT | 0.33 | grams |


| REVISIONS | | | |
|-----------|---------------------------|---------|----------|
| LTR | DESCRIPTION | DATE | APPROVED |
| - | RELEASED FROM ENGINEERING | 9/15/05 | |



NOTES:

1. ALL DIMENSIONS ARE IN MILLIMETERS.
2. SPECIFICATION SUBJECT TO CHANGE OR WITHDRAWAL WITHOUT NOTICE.
3. THIS PART IS RoHS 2002/95/EC COMPLIANT.

FILE NAME
SMT-0727-S-R.DWG

| | | | |
|---|------|--|--------------|
| UNLESS OTHERWISE SPECIFIED: DIMENSIONS ARE IN MILLIMETERS, TOLERANCES ARE ±0.5 AND ANGLES ARE ±3°. | |  projects® unlimited Dayton, Ohio | |
| APPROVALS | DATE | SURFACE MOUNT TRANSDUCER DRAWING NO. SMT-0727-S-R | |
| DRAWN <i>J.A.F.</i> | 9/05 | | |
| APPROVED <i>B.R.</i> | 9/05 | | |
| <i>E.P.</i> | 9/05 | | |
| DO NOT SCALE DRAWING | | SIZE A | SHEET 1 OF 1 |